



WE ARE WELDING

EWM tigSpeed

TIG cold/hot wire welding



Table of contents

EWM tigSpeed – cold/hot wire welding		
Overview of tigSpeed system		Page 4
Process explanation – TIG cold/hot wire welding		Page 6
Process explanation – dynamic wire feeding		Page 7
Process explanation – oscillating wire feeding		Page 8
Process explanation – Superpuls		Page 9
tigSpeed wire feeders		Page 10
Accessories		Page 12
	TIG260 GRIP	Page 18
Cold/hot wire welding torches	TIG450 GRIP	Page 20
	TIG-SR 18 GRIP	Page 22
	comfyTig	Page 24
tigSpeed configuration examples		Page 30
tigSpeed automation components		Page 32

Overview of tigSpeed wire feeders

	Cold wire	Hot wire	Constant wire feeding	Superpuls	Oscillating wire feeding
tigSpeed continuous drive 45 coldwire	•		•	•	
tigSpeed continuous drive 45 hotwire	•	•	•	•	
tigSpeed oscillation drive 45 coldwire	•		•	•	•
tigSpeed oscillation drive 45 hotwire	•	•	•	•	•



tigSpeed system

TIG cold/hot wire welding with completely new possibilities

Five different options for wire feeding, just three system components, suitable for any TIG welding machine.

Optimum conditions for any operating site:

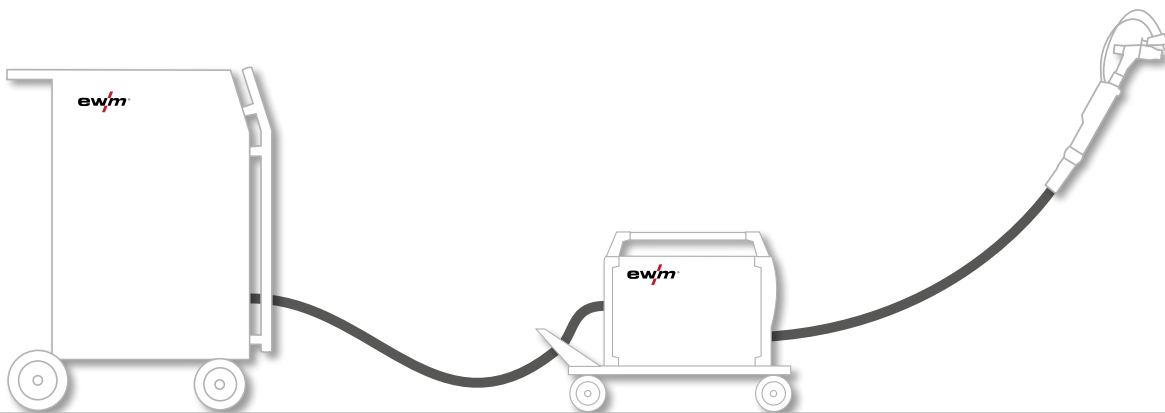
- Can be used with any TIG welding machine
- Hot wire power source integrated, no additional power source required (for hot wire models only)
- Parameter readout and setting of absolute values on digital displays – repeat-accurate and reproducible (m/min. or lpm)
- 15 individually definable welding programs can be saved
- Compatible for mobile use thanks to optional trolley
- Optimum protection for intermediate hose packages thanks to strain relief
- Settings made on remote control, directly at the work area
- Areas of application: low-, medium- and high-alloy materials; CrNi; nickel-based alloys, copper and copper alloys; aluminium and aluminium alloys; P91/P92 special alloys

tigSpeed system components

TIG welding machine

tigSpeed

TIG cold/hot wire torches



TIG welding machines

Can be used with any TIG welding machine

EWM DC TIG welding machines

- DC TIG welding up to 550 amperes
- Choice between compact housing and modular housing design
- Welding of steel, stainless steel, titanium and CrNi steels



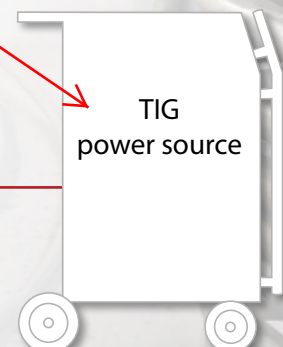
EWM AC/DC TIG welding machines

- AC/DC TIG welding up to 550 amperes
- Choice between compact housing and modular housing design
- Welding of steel, stainless steel, titanium, CrNi steels and aluminium



Compatible with TIG welding machines by other manufacturers

- Effortless integration into your existing production systems
- Simple installation thanks to suitable accessories (ADAP tigSpeed)



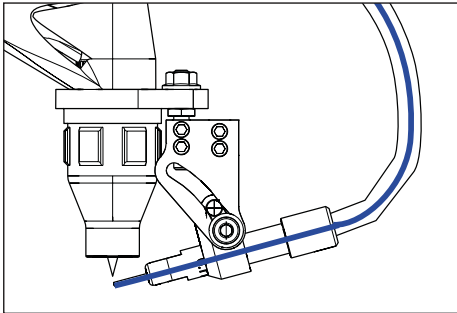
tigSpeed – TIG cold/hot wire welding

Dynamic TIG wire feed system

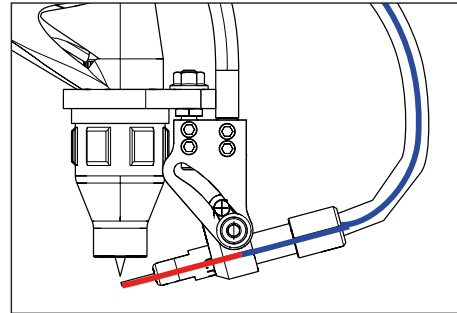
With TIG cold/hot wire welding, the welding consumable is fed to the weld pool mechanically, thus enabling significantly higher deposition rates.

This feeding also makes process handling easier during welding, plus the welding speed and deposition rate can be increased dramatically.

Cold wire

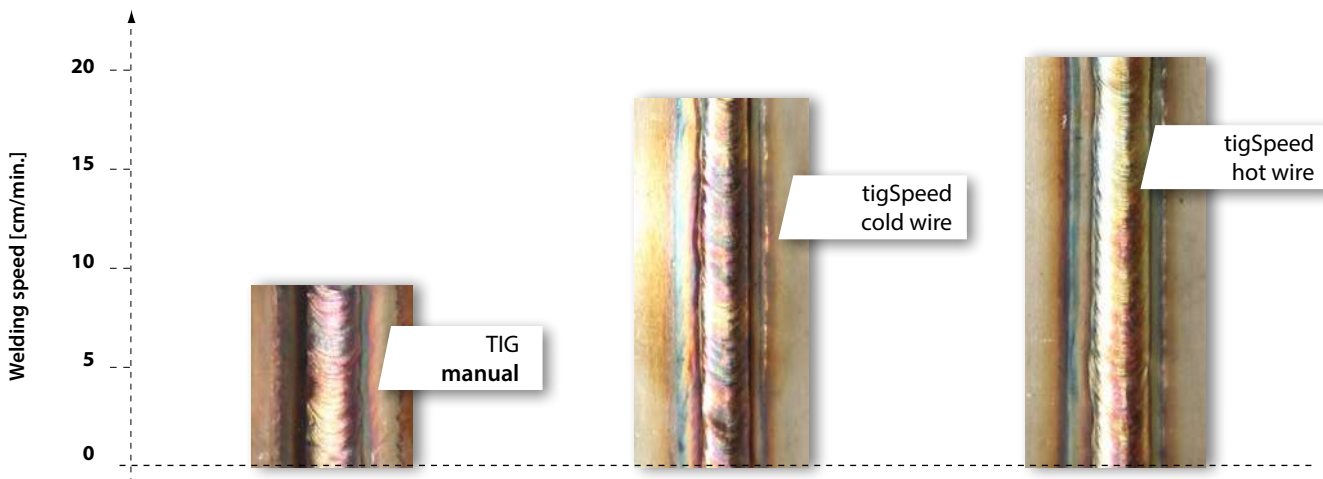


Hot wire



- The wire is fed mechanically.
- Significantly easier handling compared to manual TIG welding
- Up to 60% faster welding speeds compared to manual TIG welding
- Welding of steel, stainless steel, titanium, CrNi steels and aluminium

- The wire is fed mechanically and preheated by a hot wire current in the welding torch.
- Significantly easier handling compared to manual TIG welding
- The welding speed is significantly increased once more compared to cold wire welding.
- Decisive advantages for surfacing thanks to reduced dilution in the weld pool as a result of targeted heat input
- Welding of steel, stainless steel, titanium and CrNi steels



Welding speed comparison in cm/min.:

PF position: manual TIG welding with 3.2 mm filler wire; tigSpeed cold wire and tigSpeed hot wire with 1.0 mm filler wire

tigSpeed with constant wire feeding

Constant wire feeding

When wire feeding is constant, the wire is continuously fed into the weld pool at a steady rate, ensuring a highly uniform, smooth weld seam.

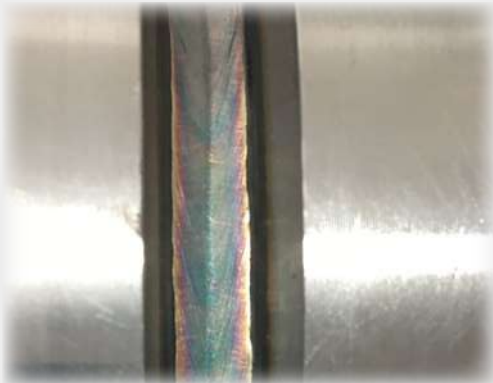
The welding speed or deposition rate can be increased enormously if hot wire is used to preheat the welding consumable. The constant wire feed is ideal for fully mechanised welding and TIG surfacing.

Advantages of constant feeding

- Ideal for mechanised/automated applications
- Faster welding speeds compared to manual TIG welding
- Less distortion, thanks to reduced heat input
- Smooth, uniform seam finish
- Fully mechanised welding and TIG surfacing



PA Root welding on pipes



Use on rotating system (welding torch permanently attached to rotating pipe)

PA Fully mechanised welding process



Use on a clamping bench

Pass build-up for pipe welding



tigSpeed with oscillating wire feeding

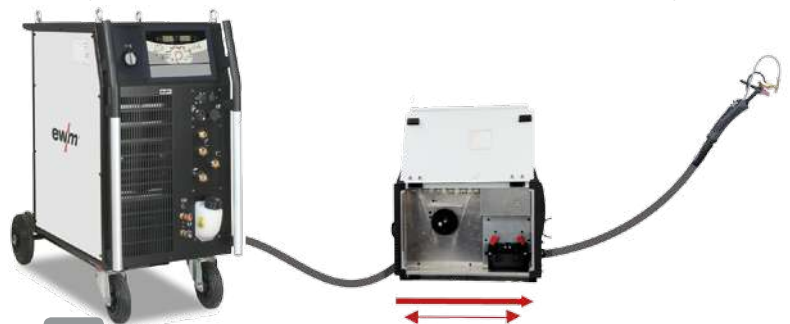
The constant wire feeding is superimposed using a backward and forward motion produced by the drive unit.

The wire feeder feeds the wire on a continuous basis. At the same time, the wire is moved backwards and forwards at a freely adjustable frequency (1–16 Hz).

The oscillation brings movement to the weld pool, with a flawless sidewall wetting produced as a result. This ensures less lack of fusion during manual welding, thus creating a fine-flaked weld surface.

Advantages of dynamic feeding

- Easy handling, even for positional welding
- Highly stable process: the arc remains stable when the gap between the electrode and workpiece changes
- Excellent sidewall fusion
- Reduces risk of undercuts
- Fine-flaked weld surface
- Filler and final passes
- Optimum results for high-alloy materials



PB, PF Stainless steel box (1.4501)



Fillet weld on 10 mm sheets:

- Less distortion
- High corrosion resistance (used in seawater applications)

PB Filler and final pass, titanium grade 7 (3.7235)



Use in special tank construction:

- Lower energy per unit length
- Greater cost efficiency

PB Stainless steel screw conveyor



- Notch-free weld seams
- Ideal for food industry
- Consistently high quality, even for long weld seams

tigSpeed Superpuls

Exact dosage of wire fed

tigSpeed Superpuls offers three different setting options for absolute feeding parameters. This allows you to set all parameters precisely to your welding task, so that you achieve optimum results.

Superpuls with two wire feed speeds:

Continual switch between two wire feed speeds

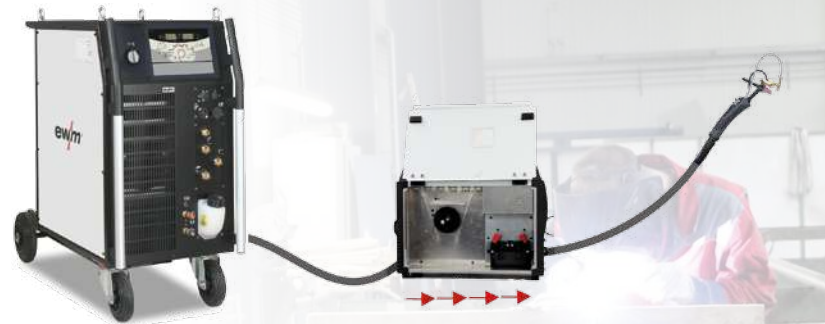
Superpuls “start/stop”:

Continual switch between wire feeding and wire halt. A droplet is formed at the end of the wire, which is deposited each time the wire is moved forward in the weld pool.

Particularly suitable for PA, PB and PC position

Superpuls “reverse”:

- Continual switch between wire feeding and wire return
- Only the tip of the wire is dipped into the molten metal each time the wire is moved forward, ensuring that the quantity of wire can be dosed even more precisely.
- Optimally suitable for positional welding and welding during thin sheet processing



PA Aluminium external edge weld (AlMg 4.5)



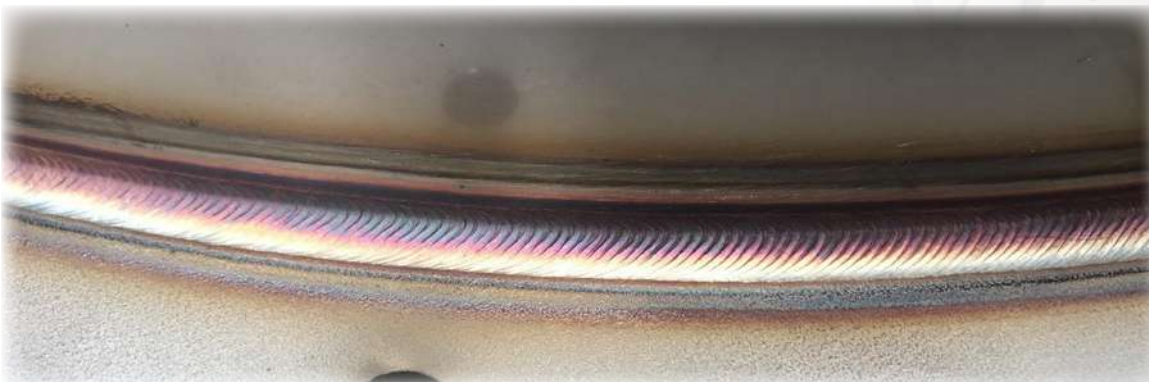
Visible TIG seam: uniform bead ripples even on long seams

PF Root pass with Superpuls, final pass with dynamic feeding



- Reliable weld root fusion even for positional welding
- Faster welding speed
- Lower heat input

PB Pipe-flange connection



- Highly cost-effective for large components with long seams
- Reduces distortion
- Reduces finishing work

tigSpeed wire feed systems

- High process reliability and reproducible welding results
- Higher welding speed and easy handling
- Perfect weld appearance, no weld spatters



Wire speed m/min	0.3 m/min - 15 m/min
Mains voltage (tolerances)	1 x 230 V (-40 % - +15 %)
Mains fuses (slow-blow)	1 x 16 A
Wire-feed speed increments	0.1 m/min
Roller diameter	37 mm
Wire feeder, LxWxH in mm	636 x 324 x 482

tigSpeed continuous drive 45 coldwire



- TIG cold wire welding
- 4-roll drive. Equipped for 1.0 mm + 1.2 mm steel wires
- Can be used with any TIG welding machine

Wire feeder weight	24.5 kg
Designation	Item no.
TIG wire feeder	090-000237-00502

tigSpeed continuous drive 45 hotwire



- TIG cold wire and hot wire welding
- Up to 100 % faster welding speeds compared to TIG welding
- Up to 60% improvement in deposition rate
- Dilution reduced by up to 60%
- Heat supply to the wire for improved deposition rate and an even lower risk of weld errors
- Workpiece lead to connect the hot wire current is included in the supply package
- 4-roll drive. Equipped for 1.0 mm + 1.2 mm steel wires
- Can be used with any TIG welding machine

Hot wire current	40 A - 180 A
Duty cycle 40 °C	180 A / 35 %
	150 A / 60 %
	130 A / 100 %
Wire feeder weight	30.5 kg
Designation	Item no.
TIG wire feeder with wire preheating	090-000236-00502

tigSpeed oscillation drive 45 coldwire



- TIG cold wire welding with dynamic wire feed system
- Dynamic wire feeding for a controllable weld pool even with positional welding: The wire feeding is superimposed using a forward and backward movement
- 4-roll drive. Equipped for 1.0 mm + 1.2 mm steel wires
- Can be used with any TIG welding machine

Oscillating frequency	1 Hz - 16 Hz
Wire feeder weight	28 kg

Designation	PU	Item no.
	Unit	
TIG wire feeder with adjustable pulse frequency	1	090-000181-00502

tigSpeed oscillation drive 45 hotwire



- TIG cold wire and hot wire welding with dynamic wire feed system
- Dynamic wire feeding for a controllable weld pool even with positional welding: The wire feeding is superimposed using a forward and backward movement
- Up to 100 % faster welding speeds compared to TIG welding
- Up to 60% improvement in deposition rate
- Dilution reduced by up to 60%
- Heat supply to the wire for improved deposition rate and an even lower risk of weld errors
- Workpiece lead to connect the hot wire current is included in the supply package
- 4-roll drive. Equipped for 1.0 mm + 1.2 mm steel wires
- Can be used with any TIG welding machine

Hot wire current	40 A - 180 A
Duty cycle 40 °C	180 A / 35 %
	150 A / 60 %
	130 A / 100 %

Oscillating frequency	1 Hz - 16 Hz
Wire feeder weight	34 kg

Designation	PU	Item no.
	Unit	
TIG wire feeder with adjustable pulse frequency and wire pre-heating	1	090-000180-00502



Accessories

FR tigSpeed



- Remote control for tigSpeed system
- All welding parameters directly adjustable at workplace
- Plastic casing with retaining clip, 12-pole connection socket
- With pre-fitted 5-m connection cable

Designation	PU Unit	Item no.
Remote control	1	094-019921-00000

TIG W AW 5POL



- Intermediate hose package, water-cooled, filler wire, incl. strain relief

Cross-section		95 mm ²	
Designation	Hose package length m	PU Unit	Item no.
Intermediate hose package, water-cooled, filler wire, incl. strain relief	2.0	1	094-019139-00000
	5.0		094-019139-00005
	10.0		094-019139-00010

ADAP tigSpeed



Designation	PU Unit	Item no.
Adapter for tigSpeed intermediate hose package for connection to equipment from other manufacturers	1	094-019463-00000

Conversion kit for aluminium



- Includes 4 twin rollers, 2 gears and 2 spacer rings

Designation	Wire Ø	Wire Ø 2	Roller diameter mm	PU Unit	Item no.
	mm	mm			
Conversion kit for aluminium	0.8	1.0	37	1	092-002268-00000
	1.0	1.2			092-002266-00000
	1.2	1.6			092-002269-00000
	2.4	3.2			092-002270-00000

Conversion kit for flux cored wire



- Includes 2 twin rolls, 2 gears, 2 pressure rolls and 2 spacer rings

Designation	Wire Ø	Wire Ø 2	Roller diameter mm	PU Unit	Item no.
	mm	mm			
Conversion kit for flux cored wire	0.8 - 0.9	0.8 - 0.9	37	1	092-000410-00000
	1 - 1.2	1.4 - 1.6			092-000411-00000
	1.4 - 1.6	2 - 2.4			092-000412-00000
	2.8	3.2			092-000413-00000

ON WAK tigSpeed



Designation	PU Unit	Item no.
With wheel assembly kit with strain relief	1	092-007927-00000

DM 842 Ar/CO2 230bar D



- Pressure regulator with manometer
- Manufactured in accordance with ISO 2503
- Maximum primary pressure of 230 bar
- Single-stage
- Infinite and highly accurate adjustment
- Safety manometer with pressure meter or flow meter (bar/psi or litres per minute)
- With cut-off valve

Gas type	Argon/CO2/mixed gas
Hose connection	G 1/4"RH
Cylinder connection	W21,8x1/14" RH
Cylinder pressure	230 bar
Standards	ISO 2503

Designation	PU Unit	Gas flow l	Item no.
Pressure regulator with manometer	1	15.0	394-002910-00015
		30	394-002910-00030

Tigex



- Single stage pressure regulator with float type meter for flow measurement

Cylinder pressure	200 bar
Standards	ISO 2503
Version	Flow display One-stage

Designation	Gas type	Cylinder thread	Hose connection	Gas flow l/min	Item no.
Pressure regulator with flow meter	Argon/H2 (forming gas)	W 21,8 x 1/14"LH	G3/8" LH	0 - 20	094-001813-00001
	Argon / Mix	W 21,8 x 1/14"	G 1/4"	0 - 5 0 - 20	094-001812-00001 094-001980-00000

Accessories

AK300



- Wire spool adapter for use with a wire basket spool (B 300)

Designation	PU Unit	Item no.
Wire spool adapter B300	1	094-001803-00001

Steel liner, stainless steel



Material					CrNi	
Designation	Wire Ø	Inside Ø	Outside Ø	Length	PU Unit	Item no.
	mm	mm	mm	m		
Steel liner, stainless steel	0.6 - 1	1.5	3.3	3.5	1	092-018696-00003
				4.5		092-018696-00004
	1.2 - 1.6	2.0	4.0	3.5		092-018694-00003
				4.5		092-018694-00004
			5.5	092-018694-00005		

Steel liner



Material					Steel	
Designation	Wire Ø	Inside Ø	Outside Ø	Length	PU Unit	Item no.
	mm	mm	mm	m		
Steel liner	0.6 - 1	1.5	3.3	3.5	1	092-018695-00003
				4.5		092-018695-00004
	1.2 - 1.6	2.0	4.0	3.5		092-018693-00003
				4.5		092-018693-00004

Steel liner, brass



Wire Ø	1.2 mm - 1.6 mm		
Inside Ø	2 mm		
Outside Ø	4 mm		
Material	Brass		
Designation	Length	PU Unit	Item no.
	m		
Steel liner, brass	3.5	1	092-018697-00003
	4.5		092-018697-00004

Inlet guide for steel liners



Designation	Outside liner Ø	PU Unit	Item no.
	mm		
Inlet guide for steel liners	3.3	2	094-020159-00000
	4.0		094-020069-00000

Combined liner, PA



- Liner (combined liner) for feeding CrNi, aluminium, flux cored wires and CuSi wires
- Manufactured to length, with collet and O-ring

Wire Ø	1.2 mm - 1.6 mm
Inside Ø	2 mm
Outside Ø	4 mm
Colour code	Grey
Material	PA

Designation	Length m	PU Unit	Item no.
Combined liner, PA	3.5	1	092-018706-00003
	4.5		092-018706-00004

Inlet guide for plastic liners



Designation	PU Unit	Item no.
Inlet guide for plastic liners	1	094-014033-00000
	2	094-014032-00001



Cold/hot wire torch

High process reliability, high welding speed, extremely simple handling

You are optimally equipped for every task with our cold/hot wire torches, whether you require long weld seams, work in confined spaces or need positional welding.

We offer four different welding torches for your cold/hot wire welding tasks – there is one suitable for every application: small, versatile and high-performing with optimum shielding gas coverage.

Cold/hot wire torch with external wire feed

- Ideal for welding very hard or very soft wires (aluminium, chrome/nickel)
- No jamming of the wire in narrow feed spots

Cold/hot wire torch with internal wire feed

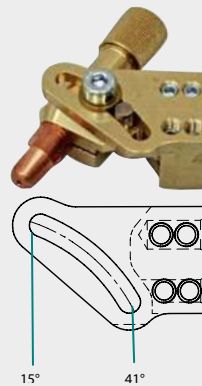
- Optimum handling since there is no wire feed in the way
- Excellent freedom of movement when welding



Our welding torches are fitted with a flexible wire support as standard. A large number of other equipment options are available to you to meet all application needs*:

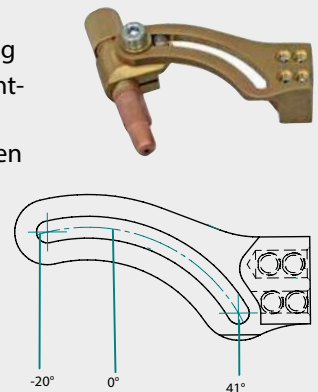
Flex bracket, short

- Standard equipment
- Can be used for most applications
- Freely adjustable between 15° and 41°



Flex bracket, long

- Specially for pipe welding
- Available in left- and right-handed design
- Freely adjustable between 20° and 41°



Fixed feed angle

- Easy adjustment
- Feed angle not adjustable
- Available with angles of 30°, 39° and 42°



Mini

- For very narrow operating points
- Suitable for cold wire only
- Optimum view of weld pool
- 35°



*You will find a detailed list of other equipment options in our spare parts catalogue.

TIG 260 CW/HW

- Highly compact design for working in confined spaces
- Optimum shielding gas coverage thanks to Multilayer gas diffuser
- 260 A/100% (DC)
- 185 A/100% (AC/DC)



TIG 450 CW/HW

- High duty cycles, ideal for long weld seams and continuous use
- Optimum shielding gas coverage thanks to Multilayer gas diffuser
- 400 A/100% (DC)
- 280 A/100% (AC/DC)



TIG-SR 18 CW/HW

- Consumables compatible with SR-18 welding torches
- 300 A/100% (DC)
- 210 A/100% (AC/DC)



comfyTig CW/HW

- TIG cold/hot wire torch in MIG/MAG grip
- Easy for welder to adapt to TIG welding after MIG/MAG welding
- Consumables compatible with SR-18 SC welding torches
- 300 A/100% (DC)
- 210 A/100% (AC/DC)



TIG260 GRIP

Suitable consumables can be found on Page 26

- Better accessibility in cramped spaces compared to common hot/cold wire torches thanks to compact construction
- Wire feeding quantity setting during welding
- Ergonomic GRIP handle for a secure hold and ergonomic use
- Replaceable steel/plastic liner
- Replaceable wire feed rotatable through 270°
- Excellent HF safety

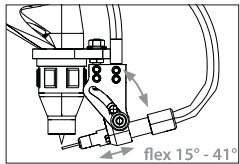


Equipment as delivered:

- Gas diffuser, multi-layer: Ø 2.4 mm
- Gas nozzle: Ø 10 mm, size 8
- Tungsten electrode E3 (purple): Ø 2.4 mm
- Back cap, short

Duty cycle DC-	260 A / 100 %
Duty cycle AC	185 A / 100 %
Electrode Ø	1.6 mm - 3.2 mm
Torch connection	Decentral 35 mm ² (pin Ø 13 mm ²)
Control cable connection	Burndy, 12-pole
Shielding gas supply	G 1/4" RH, crown nut
Filler wire Ø	0.8 mm - 1 mm

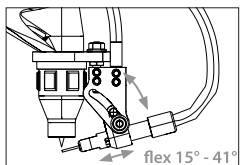
TIG 260 GRIP WD CW U/D HFL



- Water cooled TIG welding torch with a separate cold wire feed
- Wire feed integrated in the grip

Designation	Hose package length	PU Unit	Item no.
	m		
TIG welding torch, cold wire, up/down	3.0	1	094-500167-10203
	4.0		094-500167-10200

TIG 260 GRIP WD HW U/D HFL

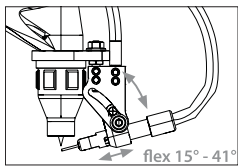


- Water cooled TIG welding torch with a separate cold and hot wire feed
- Wire feed integrated in the grip

Designation	Hose package length	PU Unit	Item no.
	m		
TIG welding torch, hot/cold wire, Up/Down	3.0	1	094-500169-10203
	4.0		094-500169-10200

Suitable consumables can be found on Page 26

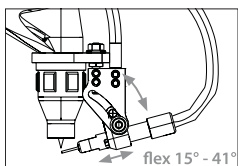
TIG 260 GRIP WD CW WO U/D HFL



- Water cooled TIG welding torch with a separate cold wire feed
- Ideal for welding extremely soft or extremely hard wires thanks to external wire feed

Designation	Hose package length	PU Unit	Item no.
	m		
TIG welding torch, cold wire, up/down	3.0	1	094-500168-10203
	4.0		094-500168-10200

TIG 260 GRIP WD HW WO U/D HFL



- Water cooled TIG welding torch with a separate cold and hot wire feed
- Ideal for welding extremely soft or extremely hard wires thanks to external wire feed

Designation	Hose package length	PU Unit	Item no.
	m		
TIG welding torch, hot/cold wire, Up/Down	3.0	1	094-500170-10203
	4.0		094-500170-10200

TIG450 GRIP

Suitable consumables can be found on Page 27

- Wire feeding quantity setting during welding
- Ergonomic GRIP handle for a secure hold and ergonomic use
- Replaceable steel/plastic liner
- Replaceable wire feed rotatable through 270°
- Excellent HF safety

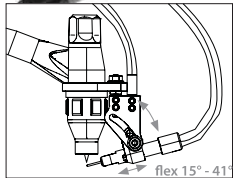


Equipment as delivered:

- Gas diffuser, multi-layer: Ø 3.2 mm
- Gas nozzle: Ø 10 mm, size 6
- Tungsten electrode E3 (purple): Ø 3.2 mm
- Back cap, short

Duty cycle DC-	400 A / 100 %
Duty cycle AC	280 A / 100 %
Torch connection	Decentral 35 mm ² (pin Ø 13 mm ²)
Control cable connection	Burndy, 12-pole
Shielding gas supply	G 1/4" RH, crown nut

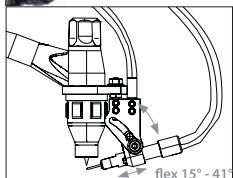
TIG 450 GRIP WD CW U/D HFL



- Water cooled TIG welding torch with a separate cold wire feed
- Wire feed integrated in the grip

Designation	Hose package length	PU	Item no.
	m	Unit	
TIG welding torch, cold wire, up/down	3.0	1	094-500094-10203
	4.0		094-500094-10200

TIG 450 GRIP WD HW U/D HFL

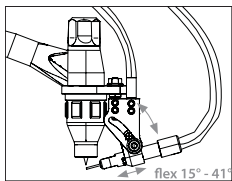


- Water cooled TIG welding torch with a separate cold and hot wire feed
- Wire feed and hot wire current lead integrated in grip

Designation	Hose package length	PU	Item no.
	m	Unit	
TIG welding torch, hot wire, up/down	3.0	1	094-500098-10203
	4.0		094-500098-10200

Suitable consumables can be found on Page 27

TIG 450 GRIP WD CW WO U/D HFL

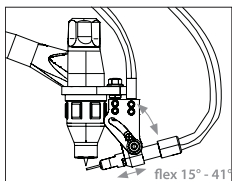


- Water cooled TIG welding torch with a separate cold wire feed
- Ideal for welding extremely soft or extremely hard wires thanks to external wire feed

Electrode Ø	1.6 mm - 3.2 mm
Filler wire Ø	0.8 mm - 1.6 mm

Designation	Hose package length	PU Unit	Item no.
	m		
TIG welding torch, cold wire, up/down	3.0	1	094-500157-10203
	4.0		094-500157-10200

TIG 450 GRIP WD HW WO U/D HFL



- Water cooled TIG welding torch with a separate cold and hot wire feed
- Ideal for welding extremely soft or extremely hard wires thanks to external wire feed

Electrode Ø	1.6 mm - 3.2 mm
Filler wire Ø	0.8 mm - 1.6 mm

Designation	Hose package length	PU Unit	Item no.
	m		
TIG welding torch, hot wire, up/down	3.0	1	094-500158-10203
	4.0		094-500158-10200

TIG-SR 18 GRIP

Suitable consumables can be found on Page 28

- Wire feeding quantity setting during welding
- Compatible with SR replacement parts
- Ergonomic GRIP handle for a secure hold and ergonomic use
- Replaceable steel/plastic liner
- Replaceable wire feed rotatable through 270°
- Excellent HF safety

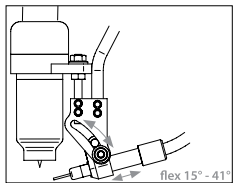


Equipment as delivered:

- Gas nozzle: Ø 6.5 mm, size 4
- Collet body with gas lens: Ø 3.2 mm
- Collet: Ø 3.2 mm
- Tungsten electrode E3 (purple): Ø 3.2 mm
- Back cap, short

Duty cycle DC-	300 A / 100 %
Duty cycle AC	210 A / 100 %
Electrode Ø	1 mm - 4 mm
Torch connection	Decentral 35 mm ² (pin Ø 13 mm ²)
Control cable connection	Burndy, 12-pole
Shielding gas supply	G 1/4" RH, crown nut
Filler wire Ø	0.8 mm - 1.6 mm

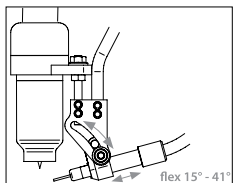
TIG-SR 18 GRIP WD CW U/D HFL



- Water cooled TIG welding torch with a separate cold wire feed
- Wire feed integrated in the grip

Designation	Hose package length	PU Unit	Item no.
	m		
TIG welding torch, cold wire, up/down	3.0	1	094-500102-10203 094-500102-10200
	4.0		

TIG-SR 18 GRIP WD HW U/D HFL

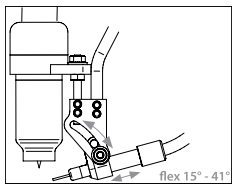


- Water cooled TIG welding torch with a separate cold and hot wire feed
- Wire feed and hot wire current lead integrated in grip

Designation	Hose package length	PU Unit	Item no.
	m		
TIG welding torch, hot wire, up/down	3.0	1	094-500106-10203 094-500106-10200
	4.0		

Suitable consumables can be found on Page 28

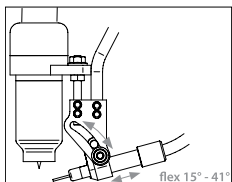
TIG-SR 18 GRIP WD CW WO U/D HFL



- Water cooled TIG welding torch with a separate cold wire feed
- Ideal for welding extremely soft or extremely hard wires thanks to external wire feed

Designation	Hose package length	PU	Item no.
	m	Unit	
TIG welding torch, cold wire, up/down	3.0	1	094-500165-10203
	4.0		094-500165-10200

TIG-SR 18 GRIP WD HW WO U/D HFL



- Water cooled TIG welding torch with a separate cold and hot wire feed
- Ideal for welding extremely soft or extremely hard wires thanks to external wire feed

Designation	Hose package length	PU	Item no.
	m	Unit	
TIG welding torch, hot wire, up/down	3.0	1	094-500171-10203
	4.0		094-500171-10200

comfyTig

Suitable consumables can be found on Page 29

- Hardly any difference in operation when switching from MIG/MAG to cold or hot wire welding
- Consumables compatible with TIG-SR 18 SC
- Replaceable steel/plastic liner
- Replaceable wire feed rotatable through 270°
- Excellent HF safety

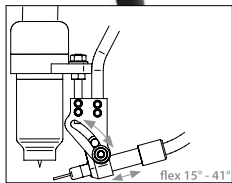


Equipment as delivered:

- Gas nozzle: Ø 12.5 mm, size 8
- Collet body with gas lens: Ø 3.2 mm
- Collet: Ø 3.2 mm
- Tungsten electrode E3 (purple): Ø 3.2 mm

Duty cycle DC-	300 A / 100 %
Duty cycle AC	210 A / 100 %
Electrode Ø	1 mm - 4 mm
Torch connection	Decentral 35 mm ² (pin Ø 13 mm ²)
Control cable connection	Burndy, 12-pole
Shielding gas supply	G 1/4" RH, crown nut
Filler wire Ø	0.8 mm - 1.6 mm

comfyTig 18-1 CW



- Water cooled TIG welding torch with a separate cold wire feed
- Wire feed integrated in the grip

Designation	Hose package length	PU Unit	Item no.
	m		
TIG welding torch, cold wire, up/down	3.0	1	094-500145-00603
	4.0		094-500145-00600

Suitable consumables can be found on Page 29

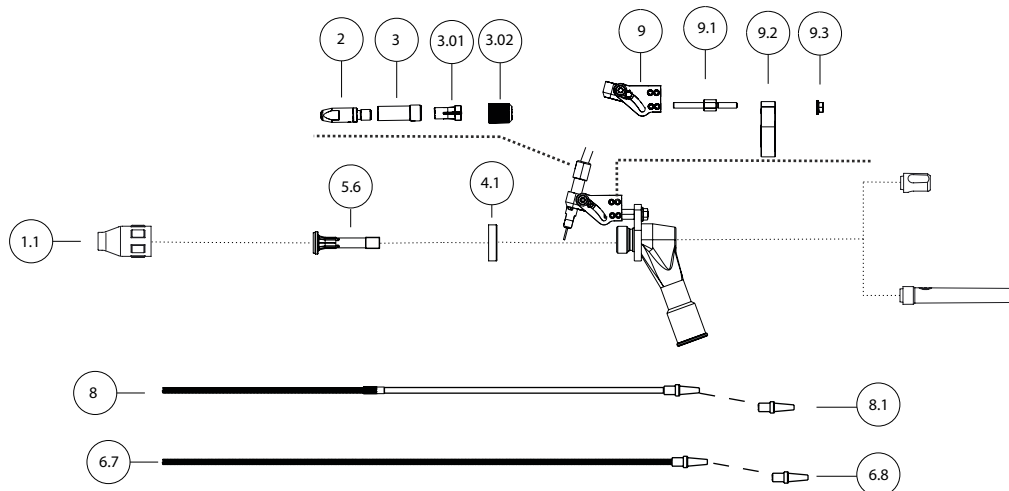
comfyTig 18-1 HW

- Water cooled TIG welding torch with a separate cold and hot wire feed
- Wire feed and hot wire current lead integrated in grip

Designation	Hose package length m	PU Unit	Item no.
TIG welding torch, hot wire, up/down	3.0	1	094-500149-00603
	4.0		094-500149-00600



Consumables TIG260 GRIP

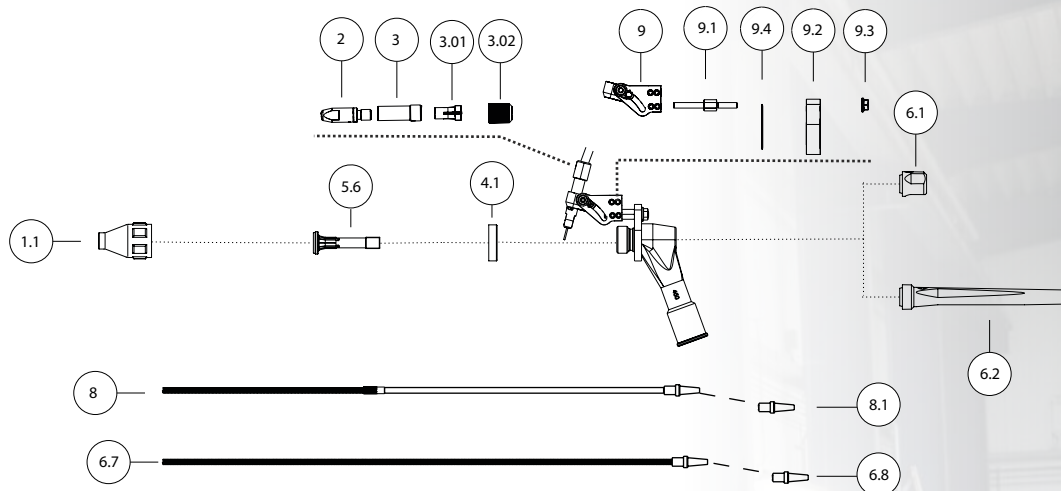


► The consumables featured show the standard "Flex bracket, short" design only. You will find other designs such as "Flex bracket, long", "Mini", fixed feed angles or models equipped with Jumbo gas nozzles in our spare parts catalogue.

Item	Designation	Size	Electro- de Ø	Nozzle Ø	Wire Ø	Thread	Length	Material	PU	Item no.
			mm	mm	mm		mm		Unit	
1.1	Gas nozzle	4	-	6.5	-	-	26	Ceramic	10	094-012672-00000
1.1	Gas nozzle	6	-	8	-	-	26	Ceramic	10	094-012405-00000
1.1	Gas nozzle	8	-	10	-	-	26	Ceramic	10	094-011756-00000
1.1	Gas nozzle	10	-	11.5	-	-	26	Ceramic	10	094-011980-00000
1.2	Gas nozzle	6	-	6.5	-	-	36	Ceramic	10	094-012673-00000
1.2	Gas nozzle	7	-	8	-	-	36	Ceramic	10	094-012674-00000
1.2	Gas nozzle	8	-	10	-	-	36	Ceramic	10	094-011982-00000
1.2	Gas nozzle	10	-	11.5	-	-	36	Ceramic	10	094-011757-00000
2	Contact tip	-	-	-	0.8	M6	28	CuCrZr	10	094-013071-00000
2	Contact tip	-	-	-	0.9	M6	28	CuCrZr	10	094-013122-00000
2	Contact tip	-	-	-	1	M6	28	CuCrZr	10	094-013072-00000
2	Contact tip, aluminium welding	-	-	-	0.8	M6	28	E-Cu	10	094-016105-00000
2	Contact tip, aluminium welding	-	-	-	0.9	M6	28	E-Cu	10	094-016106-00000
2	Contact tip, aluminium welding	-	-	-	1	M6	28	E-Cu	10	094-016107-00000
2	Contact tip, aluminium welding	-	-	-	1.2	M6	28	E-Cu	10	094-016108-00000
3.02	Crown nut	-	-	-	-	-	-	-	10	094-009034-00002
4.1	Insulator	Standard	-	-	-	-	-	Teflon	10	094-011979-00000
5.6	Gas diffuser, multi-layer	-	1.6	-	-	-	35.5	-	1	394-002357-00000
5.6	Gas diffuser, multi-layer	-	2.4	-	-	-	35.5	-	5	394-002038-00000
5.6	Gas diffuser, multi-layer	-	3.2	-	-	-	35.5	-	5	394-002358-00000
6.1	Back cap	short	-	-	-	-	-	Plastic	5	094-011752-00000
6.2	Back cap	medium	-	-	-	-	-	Plastic	5	094-011753-00000
9	Flex bracket (15-41°)	-	-	-	-	-	-	-	1	094-019613-00000
9.1	Large spool/drum	-	-	-	-	-	-	-	1	094-019543-00000
9.2	Support plate	-	-	-	-	-	-	-	1	094-021998-00000
9.3	Hexagonal nut	-	-	-	-	-	-	-	20	074-000071-00000

Liners can be found on Page 14

Consumables TIG450 GRIP

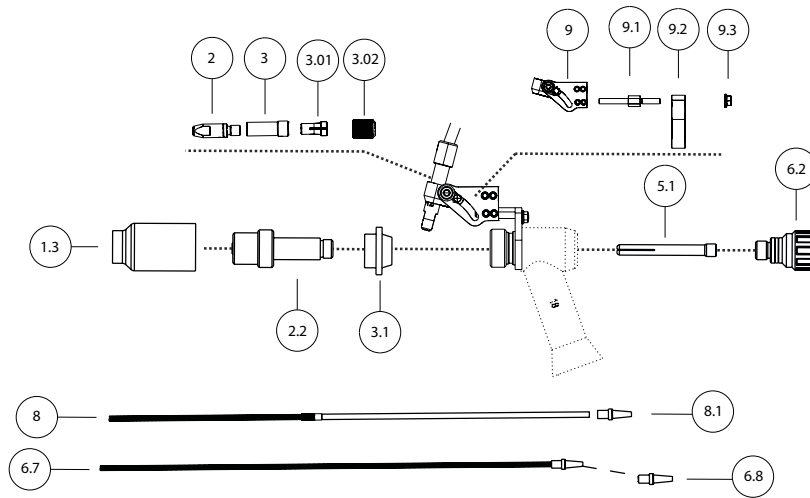


► The consumables featured show the standard "Flex bracket, short" design only. You will find other designs such as "Flex bracket, long", "Mini", fixed feed angles or models equipped with Jumbo gas nozzles in our spare parts catalogue.

Item	Designation	Size	Electro- de Ø	Nozzle Ø	Wire Ø	Thread	Length	Material	PU	Item no.
			mm	mm	mm		mm		Unit	
1.1	Gas nozzle	5	-	7.5	-	-	37	Ceramic	10	094-009646-00000
1.1	Gas nozzle	6	-	10	-	-	37	Ceramic	10	094-009647-00000
1.1	Gas nozzle	8	-	13	-	-	37	Ceramic	10	094-009648-00000
1.1	Gas nozzle	10	-	15	-	-	37	Ceramic	10	094-009649-00000
2	Contact tip	-	-	-	0.8	M6	28	CuCrZr	10	094-013071-00000
2	Contact tip	-	-	-	0.9	M6	28	CuCrZr	10	094-013122-00000
2	Contact tip	-	-	-	1	M6	28	CuCrZr	10	094-013072-00000
2	Contact tip	-	-	-	1.2	M6	28	CuCrZr	10	094-014317-00000
2	Contact tip, aluminium welding	-	-	-	0.8	M6	28	E-Cu	10	094-016105-00000
2	Contact tip, aluminium welding	-	-	-	0.9	M6	28	E-Cu	10	094-016106-00000
2	Contact tip, aluminium welding	-	-	-	1	M6	28	E-Cu	10	094-016107-00000
2	Contact tip, aluminium welding	-	-	-	1.2	M6	28	E-Cu	10	094-016108-00000
3	Connecting sleeve	-	-	-	-	-	-	-	2	094-019544-00000
3.02	Crown nut	-	-	-	-	-	-	-	10	094-009034-00002
4.1	Insulator	Standard	-	-	-	-	-	Teflon	10	094-011759-00000
5.6	Gas diffuser, multi-layer	-	1.6	-	-	-	51	Brass	1	094-023018-00000
5.6	Gas diffuser, multi-layer	-	2.4	-	-	-	51	Brass	5	094-004969-00000
5.6	Gas diffuser, multi-layer	-	3.2	-	-	-	51	Brass	5	094-006255-00000
6.1	Back cap	short	-	-	-	-	-	Plastic	5	094-010723-00000
6.2	Back cap	long	-	-	-	-	-	Plastic	5	094-010601-00000
9	Flex bracket (15-41°)	-	-	-	-	-	-	-	1	094-019613-00000
9.1	Large spool/drum	-	-	-	-	-	-	-	1	094-019543-00000
9.2	Torch holder, filler wire	-	-	-	-	-	-	-	1	094-017907-00002
9.3	Hexagonal nut	-	-	-	-	-	-	-	20	074-000071-00000
9.4	Sealing ring	-	-	-	-	-	-	-	10	094-019391-00000

Liners can be found on Page 14

Consumables TIG-SR 18 GRIP

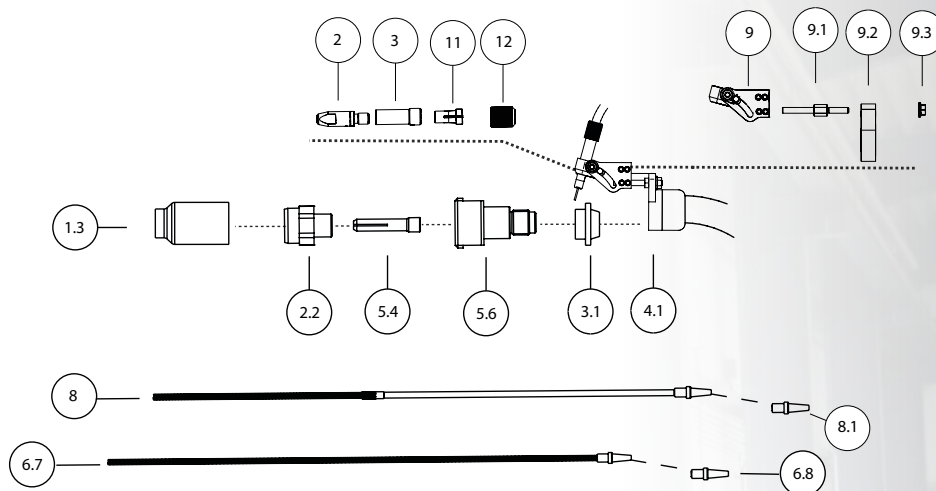


► The consumables featured show the standard "Flex bracket, short" design only. You will find other designs such as "Flex bracket, long", "Mini", fixed feed angles or models equipped with Jumbo gas nozzles in our spare parts catalogue.

Item	Designation	Size	Electrode Ø mm	Nozzle Ø mm	Wire Ø mm	Thread	Length mm	Material	PU	Item no.
1.3	Gas nozzle for gas lens	4	-	6.5	-	-	42	Ceramic	10	094-001320-00000
1.3	Gas nozzle for gas lens	5	-	8	-	-	42	Ceramic	10	094-001321-00000
1.3	Gas nozzle for gas lens	6	-	9.5	-	-	42	Ceramic	10	094-001322-00000
1.3	Gas nozzle for gas lens	7	-	11	-	-	42	Ceramic	10	094-001195-00000
1.3	Gas nozzle for gas lens	8	-	12.5	-	-	42	Ceramic	10	094-001196-00000
1.3	Gas nozzle for gas lens	12	-	19.5	-	-	42	Ceramic	10	094-001323-00000
2	Contact tip	-	-	-	0.8	M6	28	CuCrZr	10	094-013071-00000
2	Contact tip	-	-	-	0.9	M6	28	CuCrZr	10	094-013122-00000
2	Contact tip	-	-	-	1	M6	28	CuCrZr	10	094-013072-00000
2	Contact tip	-	-	-	1.2	M6	28	CuCrZr	10	094-014317-00000
2	Contact tip, aluminium welding	-	-	-	0.8	M6	28	E-Cu	10	094-016105-00000
2	Contact tip, aluminium welding	-	-	-	0.9	M6	28	E-Cu	10	094-016106-00000
2	Contact tip, aluminium welding	-	-	-	1	M6	28	E-Cu	10	094-016107-00000
2	Contact tip, aluminium welding	-	-	-	1.2	M6	28	E-Cu	10	094-016108-00000
2.2	Collet body with gas lens	-	1.6	-	-	-	-	Brass	10	094-001325-00000
2.2	Collet body with gas lens	-	2 - 2.4	-	-	-	-	Brass	10	094-001192-00000
2.2	Collet body with gas lens	-	3.2	-	-	-	-	Brass	10	094-001193-00000
2.2	Collet body with gas lens	-	4	-	-	-	-	Brass	10	094-001326-00000
3	Connecting sleeve	-	-	-	-	-	-	-	2	094-019544-00000
3.02	Crown nut	-	-	-	-	-	-	-	10	094-009034-00002
3.1	Adapters	XL	-	-	-	-	-	Teflon	10	094-001194-00000
5.1	Collet	-	4	-	-	-	50	Copper	10	094-001312-00000
5.1	Collet	-	1.6	-	-	-	50	Copper	10	094-000931-00000
5.1	Collet	-	2.4	-	-	-	50	Copper	10	094-000932-00000
5.1	Collet	-	3.2	-	-	-	50	Copper	10	094-000935-00000
6.2	Back cap	short	-	-	-	-	-	Plastic	10	094-001120-00000
9	Flex bracket (15-41°)	-	-	-	-	-	-	-	1	094-019613-00000
9.1	Large spool/drum	-	-	-	-	-	-	-	1	094-019547-00000
9.2	Bracket for wire feed	-	-	-	-	-	-	-	1	094-019481-00001
9.3	Hexagonal nut	-	-	-	-	-	-	-	20	074-000071-00000

Liners can be found on Page 14

■ Consumables comfyTig



► The consumables featured show the standard "Flex bracket, short" design only. You will find other designs such as "Flex bracket, long", "Mini", fixed feed angles or models equipped with Jumbo gas nozzles in our spare parts catalogue.

Item	Designation	Size	Electro- de Ø	Nozzle Ø	Wire Ø	Thread	Length	Material	PU	Item no.
			mm	mm	mm		mm		Unit	
1.3	Gas nozzle for gas lens	4	-	6.5	-	-	42	Ceramic	10	094-001320-00000
1.3	Gas nozzle for gas lens	5	-	8	-	-	42	Ceramic	10	094-001321-00000
1.3	Gas nozzle for gas lens	6	-	9.5	-	-	42	Ceramic	10	094-001322-00000
1.3	Gas nozzle for gas lens	7	-	11	-	-	42	Ceramic	10	094-001195-00000
1.3	Gas nozzle for gas lens	8	-	12.5	-	-	42	Ceramic	10	094-001196-00000
1.3	Gas nozzle for gas lens	12	-	19.5	-	-	42	Ceramic	10	094-001323-00000
2	Contact tip	-	-	-	0.8	M6	28	CuCrZr	10	094-013071-00000
2	Contact tip	-	-	-	0.9	M6	28	CuCrZr	10	094-013122-00000
2	Contact tip	-	-	-	1	M6	28	CuCrZr	10	094-013072-00000
2	Contact tip	-	-	-	1.2	M6	28	CuCrZr	10	094-014317-00000
2	Contact tip, aluminium welding	-	-	-	0.8	M6	28	E-Cu	10	094-016105-00000
2	Contact tip, aluminium welding	-	-	-	0.9	M6	28	E-Cu	10	094-016106-00000
2	Contact tip, aluminium welding	-	-	-	1	M6	28	E-Cu	10	094-016107-00000
2	Contact tip, aluminium welding	-	-	-	1.2	M6	28	E-Cu	10	094-016108-00000
2.2	Collet body with gas lens	-	1.6	-	-	-	-	Copper	10	094-012698-00000
2.2	Collet body with gas lens	-	2.4	-	-	-	-	Copper	10	094-012699-00000
2.2	Collet body with gas lens	-	3.2	-	-	-	-	Copper	1	094-001362-00000
2.2	Collet body with gas lens	-	4	-	-	-	-	Copper	1	094-001363-00000
3	Connecting sleeve	-	-	-	-	-	-	-	2	094-019544-00000
3.02	Crown nut	-	-	-	-	-	-	-	10	094-009034-00002
3.1	Adapters	XL	-	-	-	-	-	Teflon	10	094-001194-00000
4.1	O-ring	-	-	-	-	-	-	-	10	094-008422-00000
5.4	Collet	-	1.6	-	-	-	29.5	Copper	10	094-017284-00000
5.4	Collet	-	2.4	-	-	-	29.5	Copper	10	094-017285-00000
5.4	Collet	-	3.2	-	-	-	29.5	Copper	10	094-019288-00000
5.6	Collet body mount	-	-	-	-	-	-	-	1	094-021094-00001
9	Flex bracket (15-41°)	-	-	-	-	-	-	-	1	094-019613-00000
9.1	Large spool/drum	-	-	-	-	-	-	-	1	094-019169-00001
9.2	Support plate	-	-	-	-	-	-	-	1	094-020666-00000
9.3	Hexagonal nut	-	-	-	-	-	-	-	20	074-000071-00000

Liners can be found on Page 14

■ tigSpeed configuration examples

Welding of steel, stainless steel or titanium

- Tetrax 401 DC Comfort 2.0 puls
- tigSpeed oscillation drive hotwire
- TIG 450 HW welding torch with internal wire feed, short flex bracket

Type	Designation	Item no.
Tetrax 401 DC Comfort 2.0 puls	DC TIG welding machine, portable, modular, decentralised, 5-pole connection socket	090-000247-00502
TIGSPEED OSCILLATION DRIVE 45 HOTWIRE	TIG wire feeder with adjustable pulse frequency and wire preheating	090-000180-00502
TIG 450 GRIP WD HW U/D 3M	TIG welding torch, hot/cold wire, up/down	094-500098-10203
TIGSPEED 95QMM W AW 5POL 5M	Intermediate hose package, water-cooled, filler wire, including strain relief	094-019139-00005
WK70mm ² 450A/60% 4m/Z	Workpiece lead with clamp	092-000013-00000
GH 2x1/4" 2m	Gas hose	094-000010-00001
DM 842 Ar/CO2 230bar 30l D	Pressure regulator with manometer	394-002910-00030
KF 23E-10, -10	Coolant (-10 °C), 9.3 l	094-000530-00000
OW CEE 32A	Factory-fit option, mains plug, including installation	092-008215-00000
KOS26	Customised configuration with installation for decompact systems	092-002685-00001
KOS27	Commissioning: 1 hour	KOS-V00027-00000

Welding of steel, stainless steel or titanium pipes

- Tetrax 300 DC Smart 2.0 puls
- cool41 U31
- Trolley 55-5
- tigSpeed oscillation drive hotwire
- TIG 260 HW welding torch with internal wire feed, long flex bracket

Type	Designation	Item no.
Tetrax 300 DC Smart 2.0 puls 5P TM	DC TIG welding machine, portable, modular, decentralised, 5-pole connection socket	090-000244-00502
TIGSPEED OSCILLATION DRIVE 45 HOTWIRE	TIG wire feeder with adjustable pulse frequency and wire preheating	090-000180-00502
TIG 260 WD HW FL. 3M	TIG welding torch, hot/cold wire, up/down	094-500169-10203
TIGSPEED 95QMM W AW 5POL 5M	Intermediate hose package, water-cooled, filler wire, including strain relief	094-019139-00005
cool41 U31	Cooling unit with centrifugal pump	090-008600-00502
Trolley 55-5	Trolley for power source, 1 module, 10 l–50 l shielding gas cylinder	090-008632-00000
ON TR TROLLY 55-5	Cross arm and holder for wire feeder	092-002700-00000
FH CPL (-20)-41 AR	Flex bracket, long	094-021238-00000
WK50mm ² 350A/60% 4m/K	Workpiece lead with clamp	092-000003-00000
GH 2x1/4" 2m	Gas hose	094-000010-00001
DM 842 Ar/CO2 230bar 30l D	Pressure regulator with manometer	394-002910-00030
KF 23E-10, -10	Coolant (-10 °C), 9.3 l	094-000530-00000
OW CEE 32A	Factory-fit option, mains plug, including installation	092-008215-00000
KOS26	Customised configuration with installation for decompact systems	092-002685-00001
KOS27	Commissioning: 1 hour	KOS-V00027-00000

Flux cored wire welding

- Tetrax 351 Smart 2.0 DC
- tigSpeed continuous drive coldwire
- TIG 450 CW welding torch with external wire feed, short flex bracket

Type	Designation	Item no.
Tetrax 351 Smart 2.0 DC	DC TIG welding machine, mobile, water-cooled, decentralised	090-000253-00502
tigSpeed continuous drive 45 coldwire	TIG wire feeder	090-000237-00502
TIG 450 GRIP WD CW WO U/D HFL 12P 4M FLEX.	TIG welding torch, cold wire, up/down	094-500157-10200
TIGSPEED 95QMM W AW 5POL 5M	Intermediate hose package, water-cooled, filler wire, including strain relief	094-019139-00005
URUE ROE 2DR4R 1.0/1.2+1.4/1.6 SF	Conversion kit, 37 mm, 4-roll drive for flux cored wire	092-000411-00000
LPA COMBI 2.0MM X 4.0MM 4.5M	Combined liner, PA	092-018706-00004
WK70mm ² 450A/60% 4m/Z	Workpiece lead with clamp	092-000013-00000
GH 2x1/4" 2m	Gas hose	094-000010-00001
DM 842 Ar/CO2 230bar 30l D	Pressure regulator with manometer	394-002910-00030
KF 23E-10, -10	Coolant (-10 °C), 9.3 l	094-000530-00000
OW CEE 32A	Factory-fit option, mains plug, including installation	092-008215-00000
KOS26	Customised configuration with installation for decompact systems	092-002685-00001
KOS27	Commissioning: 1 hour	KOS-V00027-00000

Aluminium welding

- Tetrax 351 Comfort 2.0 AC/DC
- tigSpeed continuous drive coldwire
- TIG 450 CW welding torch with external wire feed, short flex bracket

Type	Designation	Item no.
Tetrax 351 Comfort 2.0 AC/DC	AC/DC TIG welding machine, mobile, water-cooled, decentralised	090-000250-00502
tigSpeed continuous drive 45 coldwire	TIG wire feeder	090-000237-00502
TIG 450 GRIP WD CW WO U/D HFL 12P 4M FLEX.	TIG welding torch, cold wire, up/down	094-500157-10200
TIGSPEED 95QMM W AW 5POL 5M	Intermediate hose package, water-cooled, filler wire, including strain relief	094-019139-00005
URUE AL 4ZR4R 1.0+1.2 SF	Conversion kit, 37 mm, 4-roll drive for aluminium	092-002266-00000
LPA COMBI 2.0MM X 4.0MM 4.5M	Combined liner, PA	092-018706-00004
CTAL E-CU M6X28MM D=1.2MM	Contact tip, aluminium welding	094-016108-00000
WK70mm ² 450A/60% 4m/Z	Workpiece lead with clamp	092-000013-00000
GH 2x1/4" 2m	Gas hose	094-000010-00001
DM 842 Ar/CO2 230bar 30l D	Pressure regulator with manometer	394-002910-00030
KF 23E-10, -10	Coolant (-10 °C), 9.3 l	094-000530-00000
OW CEE 32A	Factory-fit option, mains plug, including installation	092-008215-00000
KOS26	Customised configuration with installation for decompact systems	092-002685-00001
KOS27	Commissioning: 1 hour	KOS-V00027-00000

You will find welding consumables perfect for your application requirements in our online shop at <https://www.ewm-group.com/en/products/welding-consumables.html>

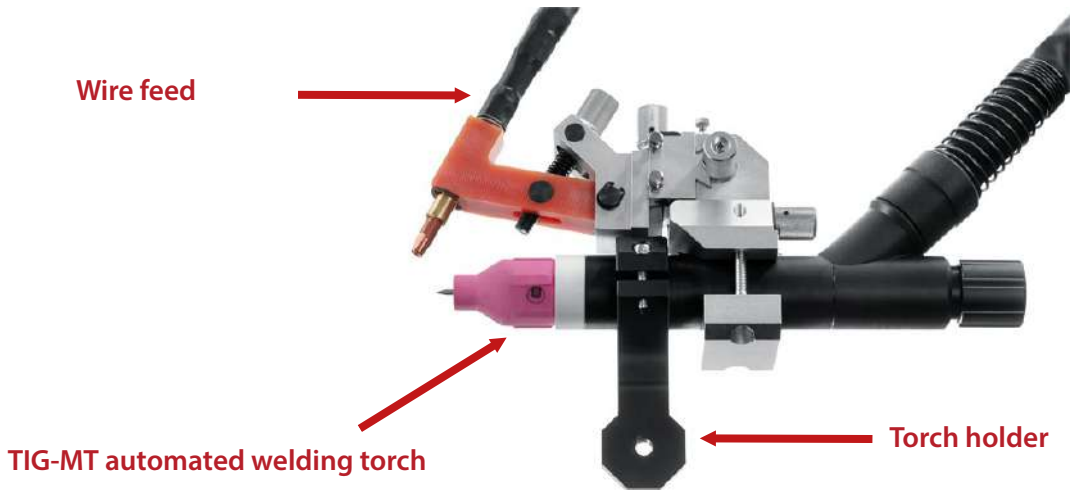
tigSpeed mechanised welding

For mechanised and fully automated production lines

The EWM tigSpeed system can be easily used with standard automated TIG welding torches. You merely need to have the right wire feed for the installations.

You can use the tigSpeed system for both partially automated production lines and mechanised production of individual components.

Extremely simple installation using just three components



TIG-MT series

- Long service life thanks to best heat dissipation combined with smallest possible size
- Hose package outlet on side without risk of kinking
- Tungsten electrode can be adjusted from the rear

CW/HW support

- XYZ axes and adjustment angle infinitely lockable and adjustable
- Insulated design (HF-safe)
- May be used with TIG-MT 500W automated welding torches
- Clamping range from 18 mm to 35 mm
- **Adjustable on four axes:**
 - Up/down
 - Forwards/backwards
 - Left/right
 - Angle

TIG-MT 500W



- Equipment as supplied:
- Gas diffuser: Ø 3.2 mm
- Gas nozzle: Ø 12.5 mm, size 12

- Automated TIG welding torch, water-cooled

Duty cycle DC-	500 A / 100 %
Duty cycle AC	350 A / 100 %
Electrode Ø	1.6 mm - 4 mm
Clamping range	35

Designation	Hose package length m	PU Unit	Item no.
Automated TIG welding torch, water-cooled	3.0	1	094-013706-00003
	4.0		094-013706-00000

Torch holder



Version	Suitable for TIG-MT 500W
Clamping range	35

Designation	Item no.
Torch holder suitable for TIG-MT 500W	094-013868-00000

HW SUPPORT



- Wire feed for automated hot wire applications (TIG/plasma)

Designation	Hose package length m	Usage	Item no.
4 axes support, hot wire, insulated setup, for Tetrix drive 4L/tigSpeed drive 45	1.5	Steel	094-020614-12015
	3.0		094-020614-12030
	4.0		094-020614-12040
	1.5	Aluminium	094-020614-12215
	3.0		094-020614-12230
	4.0		094-020614-12240
	1.5	Chrome-nickel	094-020614-12115
	3.0		094-020614-12130
	4.0		094-020614-12140

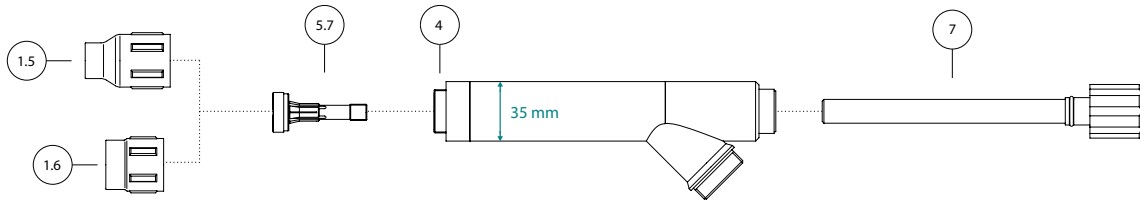
KD SUPPORT



- Wire feed for automated cold wire applications (TIG/plasma)

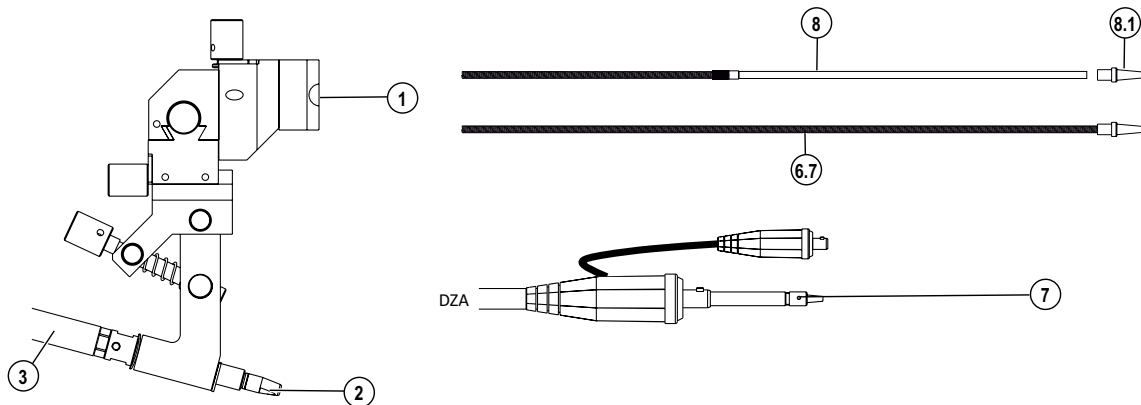
Designation	Hose package length m	Usage	Item no.
4 axes support, cold wire, insu- lated setup, for Tetrix drive 4L/ tigSpeed drive 45	1.5	Steel	094-020614-02015
	3.0		094-020614-02030
	4.0		094-020614-02040
	1.5	Aluminium	094-020614-02215
	3.0		094-020614-02230
	4.0		094-020614-02240
	1.5	Chrome-nickel	094-020614-02115
	3.0		094-020614-02130
	4.0		094-020614-02140

■ Consumables TIG-MT 500W



Item	Designation	Size	Electro- de Ø mm	Nozzle Ø mm	Length mm	Material	PU Unit	Item no.
1.5	Gas nozzle for gas diffuser, JUMBO	12	-	12.5	50	Ceramic	10	094-009663-00000
1.5	Gas nozzle for gas diffuser, JUMBO	16	-	16	50	Ceramic	10	094-009664-00000
1.5	Gas nozzle for gas diffuser, JUMBO	20	-	19.5	50	Ceramic	10	094-009665-00000
1.6	Gas nozzle for gas diffuser, JUMBO	24	-	24	34	Ceramic	10	094-011999-00000
4	Insulator	-	-	-	-	-	1	094-017229-00000
5.7	Gas diffuser	-	1.6	-	-	-	1	094-017223-00000
5.7	Gas diffuser	-	2.4	-	-	-	1	094-017225-00000
5.7	Gas diffuser	-	3.2	-	-	-	1	094-017226-00000
5.7	Gas diffuser	-	4	-	-	-	1	094-017227-00000
7	Guide tube	-	-	-	-	-	1	094-017217-00000

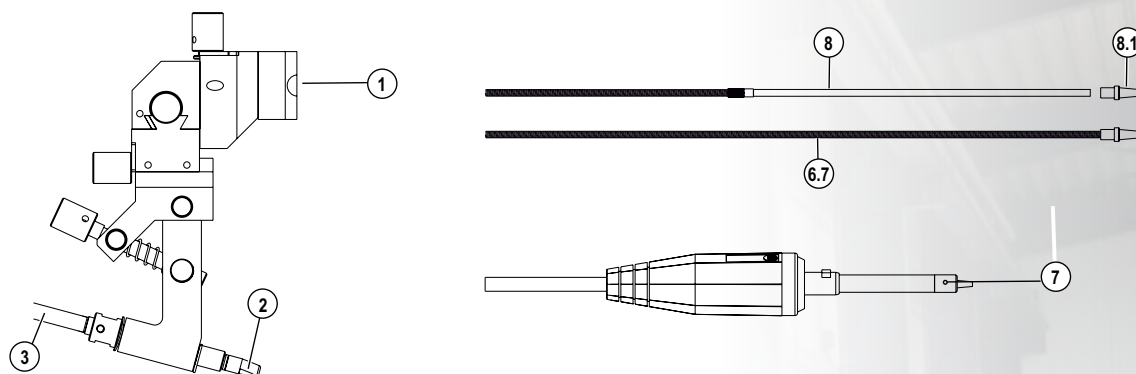
■ Consumables HW support



Item	Designation	Wire Ø mm	Thread	Length	Material	PU Unit	Item no.
1	4 axes support, insulated setup	-	-	-	-	1	092-007868-00000
2	Contact tip	0.8	M7	30 mm	CuCrZr	10	094-013535-00000
2	Contact tip	0.9	M7	30 mm	CuCrZr	10	094-013536-00000
2	Contact tip	1	M7	30 mm	CuCrZr	10	094-013537-00000
2	Contact tip	1.2	M7	30 mm	CuCrZr	10	094-013538-00000
2	Contact tip, aluminium welding	0.8	M7	30 mm	E-Cu	10	094-013550-00000
2	Contact tip, aluminium welding	0.9	M7	30 mm	E-Cu	10	094-013551-00000
2	Contact tip, aluminium welding	1	M7	30 mm	E-Cu	10	094-013552-00000
2	Contact tip, aluminium welding	1.2	M7	30 mm	E-Cu	10	094-013553-00000
3	Coaxial cable	-	-	1.5 m	-	1	094-016625-00015
3	Coaxial cable	-	-	3 m	-	1	094-016625-00000
3	Coaxial cable	-	-	4 m	-	1	094-016625-00004
7	Crown nut	-	-	-	-	10	094-015563-00002

Liners can be found on Page 14

■ Consumables CW support



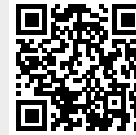
Item	Designation	Wire Ø mm	Thread	Length	Material	PU	Item no.
1	4 axes support, insulated setup	-	-	-	-	1	092-007868-00000
2	Contact tip	0.8	M7	30 mm	CuCrZr	10	094-013535-00000
2	Contact tip	0.9	M7	30 mm	CuCrZr	10	094-013536-00000
2	Contact tip	1	M7	30 mm	CuCrZr	10	094-013537-00000
2	Contact tip	1.2	M7	30 mm	CuCrZr	10	094-013538-00000
2	Contact tip, aluminium welding	0.8	M7	30 mm	E-Cu	10	094-013550-00000
2	Contact tip, aluminium welding	0.9	M7	30 mm	E-Cu	10	094-013551-00000
2	Contact tip, aluminium welding	1	M7	30 mm	E-Cu	10	094-013552-00000
2	Contact tip, aluminium welding	1.2	M7	30 mm	E-Cu	10	094-013553-00000
3	Wire hose	-	-	1 m	-	50	094-017104-00000
7	Crown nut	-	-	-	-	10	094-015563-00002

Order information material now or simply get in touch with us.
We will be happy to advise you!

Download PDF file

www.ewm-group.com/sl/brochures

Tel. +49 02680 181-0
info@ewm-group.com
www.ewm-group.com/contact



Brochure
maXsolution – Innovation
and technology consulting



Brochure
Product range, services



Brochure
Titan XQ puls



Catalogue
Welding machines and accessories



Catalogue
Welding torches and accessories



Catalogue
Welding accessories



Handbook
Welding consumables



Handbook
EWM welding dictionary

EWM AG

Dr. Günter-Henle-Straße 8
D-56271 Mündersbach
Tel: +49 2680 181-0 · Fax: -244
www.ewm-group.com
info@ewm-group.com

Sales / Consultancy / Service



Come and visit us!

The content of this document has been prepared and reviewed with all reasonable care.
The information provided is subject to change, errors excepted.